

MPJ-3W Projector Mount

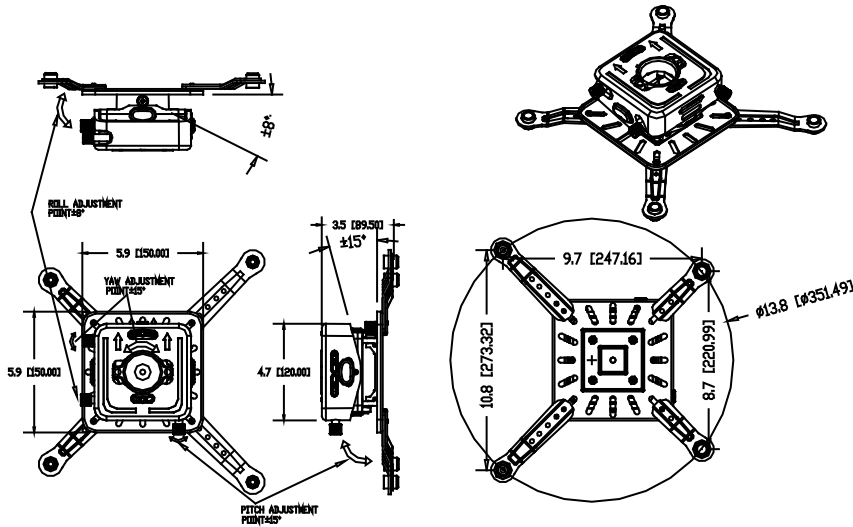
Best In Class Projector Mount Solution

MPJ-3W Simply the Easiest Projector Mount to Install and Align!

Pitch Adjustment
+/-8°

Roll Adjustment
+/-15°

Yaw Adjustment
+/-360°



MPJ-3W Projector Mount

This universal projector mount is simply the easiest to install and also, the most precisely adjustable, without the use of tools. Heavy duty design makes this unit ideal for larger projectors and those with a lens that is off-center.

Load:	70lb	■ Installation
	+/-15°	Installs to any structure with 1.5" NTP thread. Simply rotate the large easy to grip knobs to make all the necessary adjustments during installation. Crimson lead screw adjustment mechanism is unique and precise.
Pitch:	+/-8°	
Roll:	360°	
Diameter:	351.5mm*	
Rotation:	360°	
Micro Adjust:	Yes	

■ **Universal**
Universal Design fits hole patterns up to 351.5MM diameter. Additional legs expand the range to cover any large mounting hole pattern.

■ **Quick Release**
Quick release allows easy removal for bulb replacement without losing picture adjustments.

*Expandable