




Professional Solutions - Unrivaled Value

Mustang's best value in class Video Wall Mount System features lateral, vertical, horizontal, and plumb adjustments that enable quick installation, easy operation and simple maintenance. Our proprietary Push in - Pop out™ Technology allows a single display to be accessed without any disruption to the rest of the matrix, and the entire grid can be laid out by a single installer.

 37"-75" / 94cm-190.5cm

 200 LB / 91 KG

Functional Specifications

Depth from wall: 3.39" (86mm)

Extension: 10.75" (273mm)

Mounting Surfaces: Wood stud, concrete & cinder block (with included hardware). Metal Stud (requires accessories).

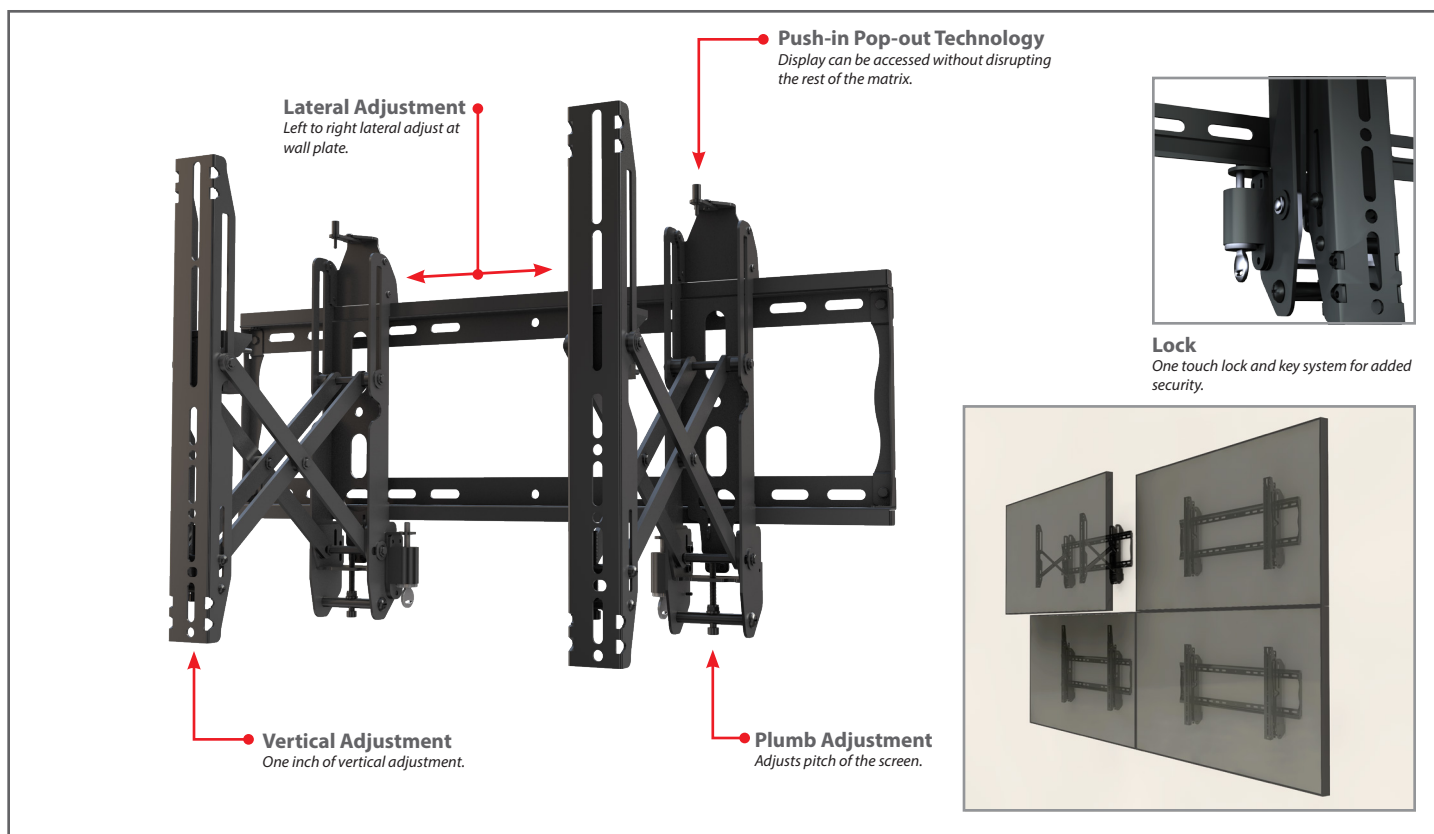
Max Mounting Pattern:

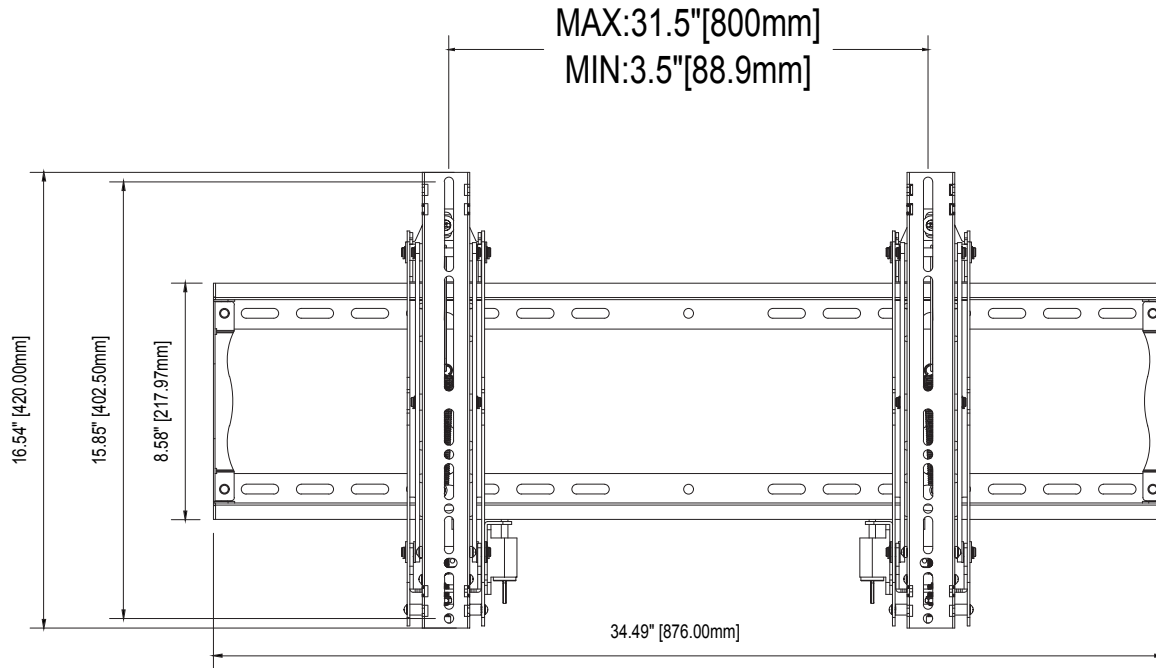
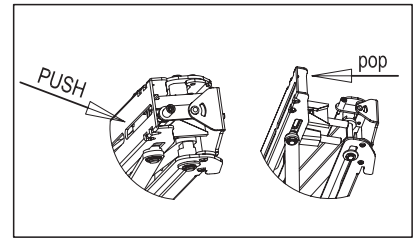
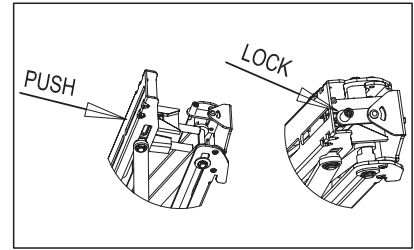
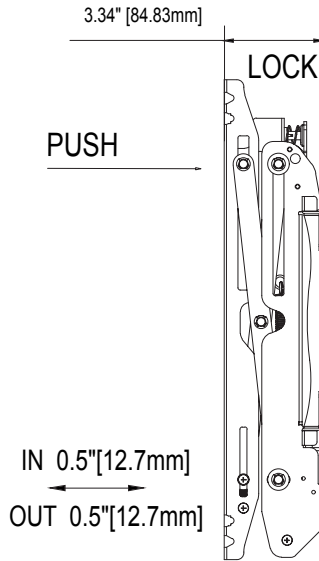
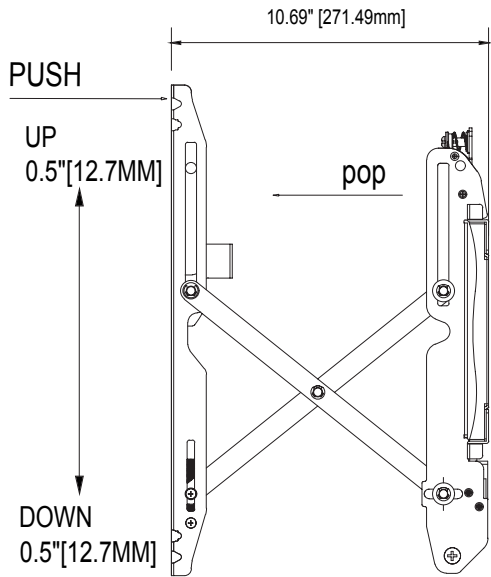
800mm (31.5") width

400mm (15.7") height

Load Capacity: 200 LB / 91 KG

Warranty: Limited 10 Years





Product Specifications

Package Specifications

PRODUCT WEIGHT	LOAD CAPACITY	COLORS	FINISH	PACKAGE SIZE (WxHxD)	SHIP WEIGHT	UPC CODE	PACKAGE CONTENTS
16.5lb (7.5kg)	200lb (91kg)	Black	Scratch resistant powder coating	36" x 12" x 5"	18lb (8kg)	(Black) MPVW-X84U-PP	Mount, wall and screen mounting hardware, product manual.

Mounting Interface



Max Mounting Pattern
800mm (W) x 400mm (H)

W	100mm	200mm	200mm	300mm	300mm	400mm	400mm	600mm	800mm
	X	X	X	X	X	X	X	X	X
H	100mm	100mm	200mm	200mm	300mm	300mm	400mm	400mm	400mm

Visit mustangav.com to see the full line of vidamounts LCD/plasma, projector and TV/monitor mounts.