

Professional Solutions - Unrivalled Value

Universal ceiling mount for projectors weighing up to 50 lb. Built-in roll, pitch and yaw adjustments make alignment fast and easy. Quick release mechanism allows projector to be easily removed for service. Compatible with all 1.5" NPT threaded pipe.

 50 LB / 22.7 kg

■ Universal Sizes

Universal ceiling mount for projectors weighing up to 50 lb.

■ Pre-assembled

Completely pre-assembled mounting interface for quick installation.

■ Easy Access

Quick release mechanism allows for easy service of projector.

■ Fully Adjustable

Roll($\pm 6^\circ$), pitch($\pm 25^\circ$) and yaw(360°) adjustments with standard screwdriver.

■ Compatibility

Compatible with all 1.5" NPT threaded pipe.

■ Color Choices

Available in 3 colors: Black, Silver and White.

Functional Specifications

Roll: $\pm 6^\circ$

Pitch: $\pm 25^\circ$

Yaw: 360°

Mounting Surfaces: 1.5" NPT Threaded connection.

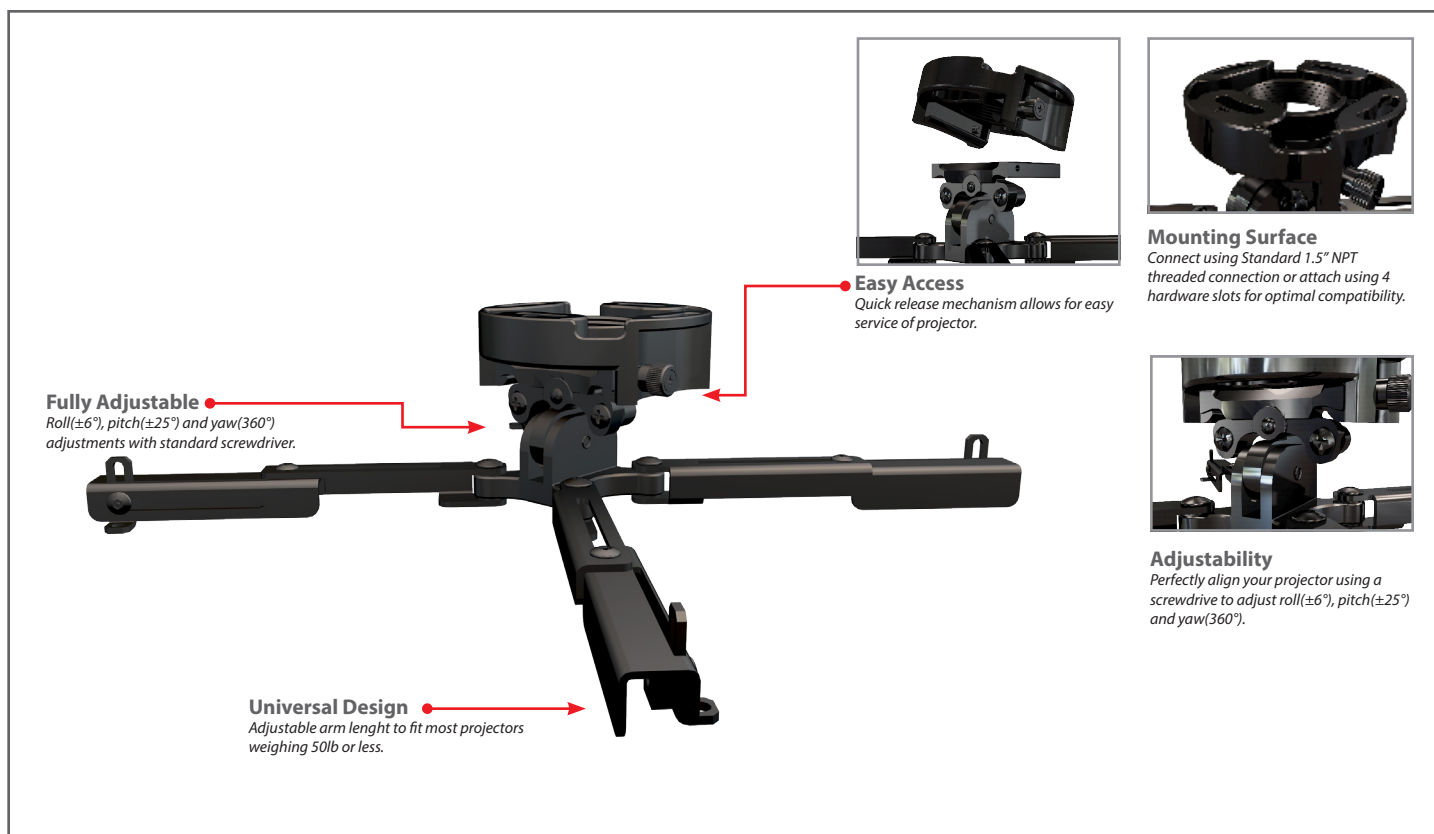
Max Mounting Pattern:

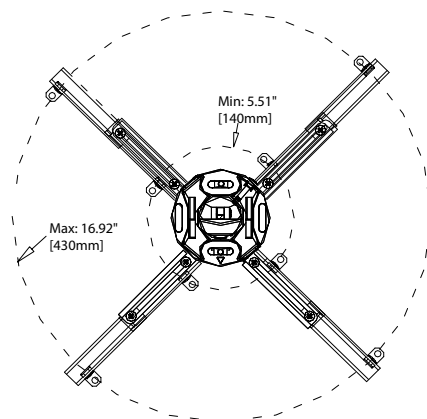
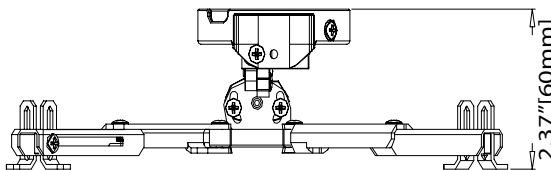
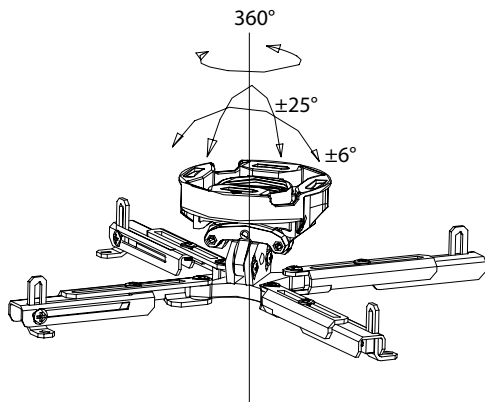
430mm (16.92") width

430mm (16.92") height

Load Capacity: 50 LB / 28 KG

Warranty: Limited 10 Years



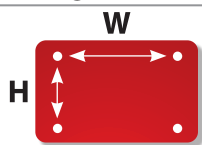


Product Specifications

Package Specifications

PRODUCT WEIGHT	LOAD CAPACITY	COLORS	FINISH	PACKAGE SIZE (WxHxD)	SHIP WEIGHT	UPC CODE	PACKAGE CONTENTS
2.2 lb (1 Kg)	50 lb (23 Kg)	Black Silver White	Scratch resistant powder coating	11.4" x 4.5" x 3.5" (290 x 114 x 89 mm)	2.8 lb (1.3kg)	MPJ-1 (Black) MPJ-1S (Silver)	Projector mount, mounting hardware, product manual.

Mounting Interface



Max Mounting Pattern
430mm (W) x 430mm (H)

W 140mm
X 430mm
H 140mm
X 430mm

Accessories

Suspended Ceiling Adapters



MPCA-S1W

For mounting above a false ceiling tile. 13" of lateral shift for fast project adjustment. Compatible with all 1.5" NPT threaded pipe.



MPCA-S2W

Replaces a standard 2' x 2' grid. 13" of lateral shift for fast project adjustment. Compatible with all 1.5" NPT threaded pipe.

Structural Ceiling Adapters



MPCA-1

Wood Single Joist / Concrete



MPCA-2

Wood 16" Double Joist / Concrete



MPCA-4

General Purpose 4x4"



MPCA-8

General Purpose 8x8"

Truss Ceiling Adapter



MPCA-T3

Mounts to round, square and rectangular trusses from .75" up to 3" in diameter and is compatible with all 1.5" NPT threaded pipe.

Vaulted Ceiling Adapter



MPCA-V1

For installation on cathedral or vaulted ceilings. Adjusts up to 94° and is compatible with all 1.5" NPT threaded pipe.

Unistrut Ceiling Adapters



MPCA-U1

Bracket and hardware for mounting to single 1-5/8"x1-5/8" Unistrut.



MPCA-U4

Bracket and hardware (4x4) for mounting to standard 1-5/8"x1-5/8" dual channels spaced on 2.25" centers.



MPCA-U8

Bracket and hardware (8x8) for mounting to standard 1-5/8"x1-5/8" dual channels spaced on 6" centers.

Unistrut Bolts



MPHU-2 (2 Bolts)

MPHU-4 (4 Bolts)

3/8" bolts and spring nuts for mounting ceiling brackets to standard 1-5/8"x1-5/8".

Fixed Columns

Static ceiling columns for use with all ceiling adapters using standard 1.5" NPT interfaces. Connectors (sold separately) give ability to extend drop lengths by connecting two or more columns. Cable management with a completely open interior.



BLACK	WHITE	DROP
MPE-06	MPE-06W	6"
MPE-1	MPE-1W	12"
MPE-018		18"
MPE-2		2'
MPE-3		3'
MPE-4		4'
MPE-5		5'
MPE-6		6'
MPE-7		7'
MPE-8		8'
MPE-9		9'

Adjustable Columns

Adjustable extension columns designed for use with all ceiling adapters using standard 1.5" NPT interfaces. Column allows for flexibility with quick 1" incremental drop length adjustments and cable management with a completely open interior. Connectors (sold separately) give ability to extend drop lengths by connecting two or more columns.



BLACK	WHITE	DROP
MPEA-0611	MPEA-0611W	6"-11"
MPEA-01218		12"-18"
MPEA-01824		18"-24"
MPEA-23		2'-3'
MPEA-24		2'-4'
MPEA-35		3'-5'
MPEA-46		4'-6'
MPEA-57		5'-7'
MPEA-68		6'-8'
MPEA-79		7'-9'
MPEA-810		8'-10'
MPEA-911		9'-11'
MPEA-1012		10'-12'

Visit mustangav.com to see the full line of vidamounts LCD/plasma, projector and TV/monitor mounts.