



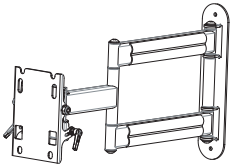
# MV-ARM-S INSTALLATION INSTRUCTIONS

Country of origin: China | Contact number: 866-395-0370 | Warranty: 5 years

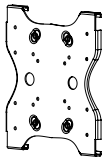
## Important Notes

- The Articulating Wall Mount supports display mounting from 26" to 40", VESA 100/200 x 100/200 depending on the TV mounting plate attached (provided separately) and supports a maximum of 80 lbs. (36kg).
- Installation will require a minimum of two people. Under no circumstances should this be attempted by one person.
- We highly recommend this product be installed by a qualified professional person.
- Please do not begin installation until you have thoroughly read and understood these instructions.
- Ensure the wall you plan to use will safely support 4 times the combined weight of the Articulating Wall Mount and your chosen display.
- Under no circumstances should this product be mounted to metal studs.
- The manufacturer does not accept responsibility for incorrect installation.

## Component Checklist



Wall Arm Assembly(x1)

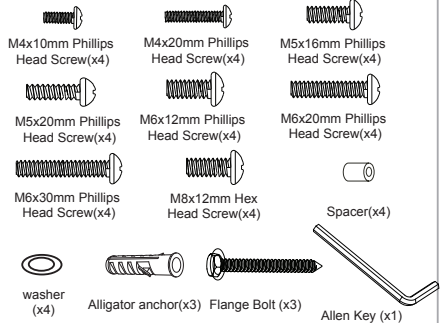


Adapter Panel(x1)

### TOOLS REQUIRED:

- Power Drill
- 5/32" or 1/3" Drill Bit
- Phillips Head Screw Driver
- Spirit Level

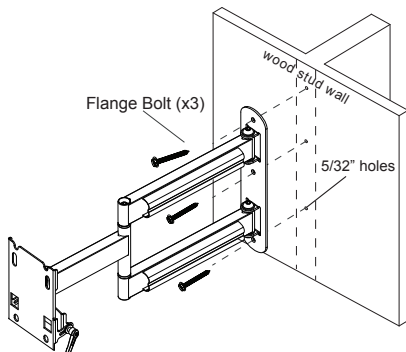
### Hardware



Use the wall plate as the template, then mark the wall plate holes onto the wall.

## A Mounting the Wall Plate

### Timber Stud Wall



## WARNING

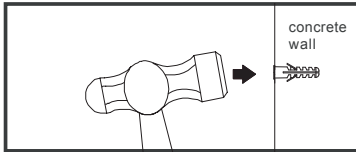
- Tighten screws so that wall plate is firmly attached but do not over tighten. Over tightening can damage the screws, greatly reducing their holding power.
- Never tighten in excess of 80" / lb. (9N.M.)
- Make sure that mounting screws are anchored into the center of the studs. The use of an "edge to edge" stud finder is highly recommended.

## Installation to Solid Concrete and Cinder Block

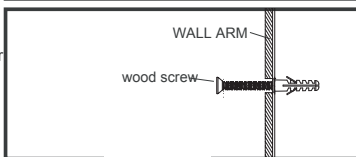
### ⚠ WARNING

- When installing wall arm assembly on cinder block, verify that you have a minimum of 1-3/8" of actual concrete thickness in the hole to be used for the concrete anchors. Do not drill into mortar joints! Be sure to mount in a solid part of the block, generally 1" minimum from the side of the block. Cinder block must meet ASTM C-90 specifications. It is suggested that a standard electric drill on slow setting is used to drill the hole instead of a hammer drill to avoid breaking out the back of the hole when entering a void or cavity.
- Concrete must be 2000 psi density minimum. Lighter density concrete may not hold concrete anchor.
- Make sure that the supporting surface will safely support the combined load of the equipment and all attached hardware and components.

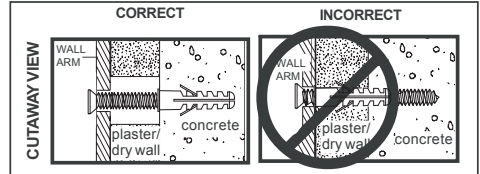
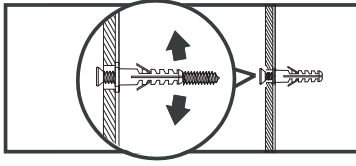
Drill holes and insert anchors.



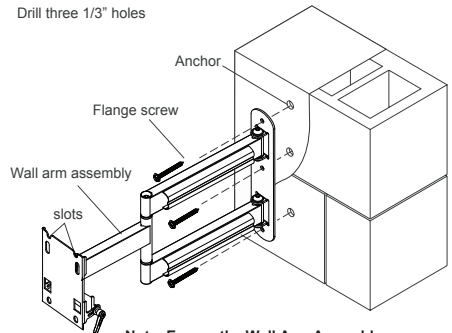
Place wall arm assembly plate over anchor and secure with screw.



Tighten all fasteners.



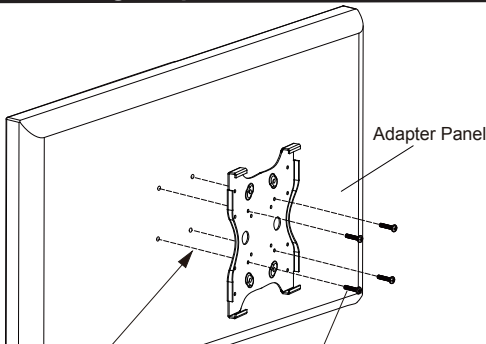
Drill three 1/3" holes



Note: Ensure the Wall Arm Assembly is mounted with the slots pointing upwards.

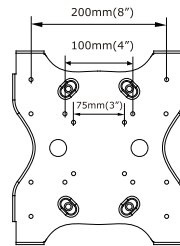
### Ⓑ Attaching Adapter Panel to Screen

For VESA 75x75, 100x100 or 200x200



When installing displays with recessed / pocket hole patterns, spacers should be used between the screen adapter plate and the flat panel.

M4&M5&M6 Mounting Screw



Adapter Panel

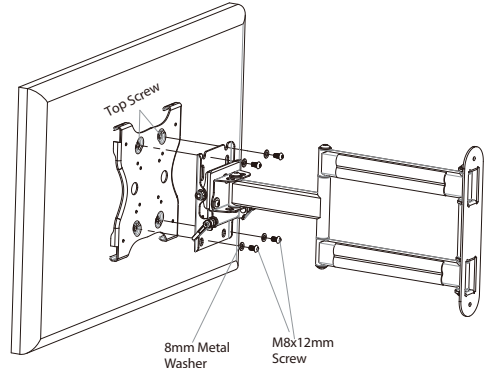
NOTE: For VESA 75x75, 100x100, 100x200, 200x200, the Adapter Panel is needed only, attach Adapter Panel to screen using M4 & M5 & M6 mounting screw.

## C Installing display

Insert two M8x12mm (O) screws and two 8mm metal washers (S) into top two holes of Adapter Plate. Leave approximately 1/4" of exposed thread (Do NOT tighten fully).

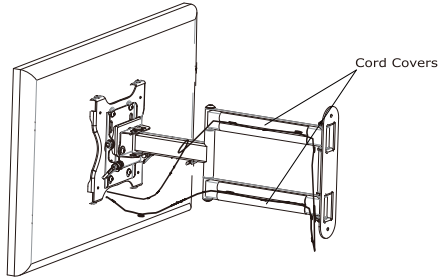
Lift the display and hook it over the mounting head by lowering the exposed portion of the top screws into the open key slots of Wall Arm Assembly mounting head.

Once in position, attach the bottom two M8x12mm screws (O) and 8mm metal washers (S) to secure the Adapter Plate to the mounting head using the Allen Key (T) to tighten down all M8 screws (See Figure 10).



## D Cable Management

**NOTE: Be sure to leave enough slack to allow for movement of the arms.**

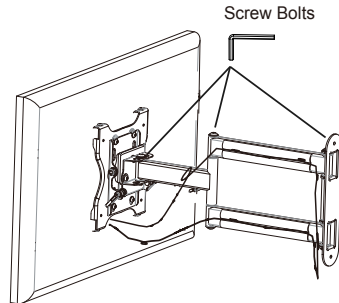


Note: For demonstration purposes, the wall has been omitted from the image.

## E Optional

If more or less tension is desired in the arm pivot points, do the following:

- To increase tension, turn Screw Bolts clockwise with M8mm Allen Key.
- To reduce tension, turn Screw Bolts counter-clockwise with M8mm Allen Key. **Do not turn more than half a turn.**



**INSTALLATION COMPLETE**