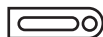


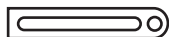
MV-PROJSP

Dimension

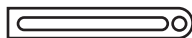
2x50mm (2")



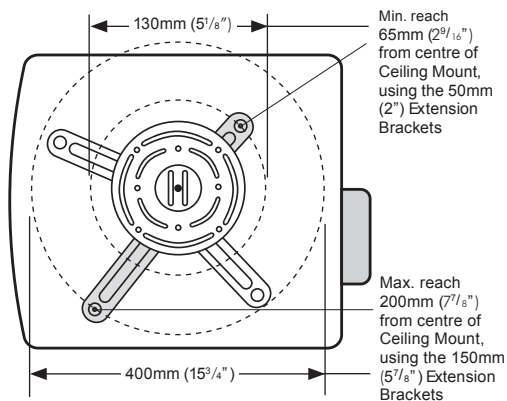
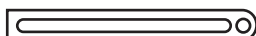
2x75mm (3")



2x100mm (4")



2x150mm (5 7/8")



- ① 90° tilt
- ② Height adjustment
- ③ 360° rotation
- ④ ±40° pitch
- ⑤ 72mm shift
- ⑥ ±20° roll

