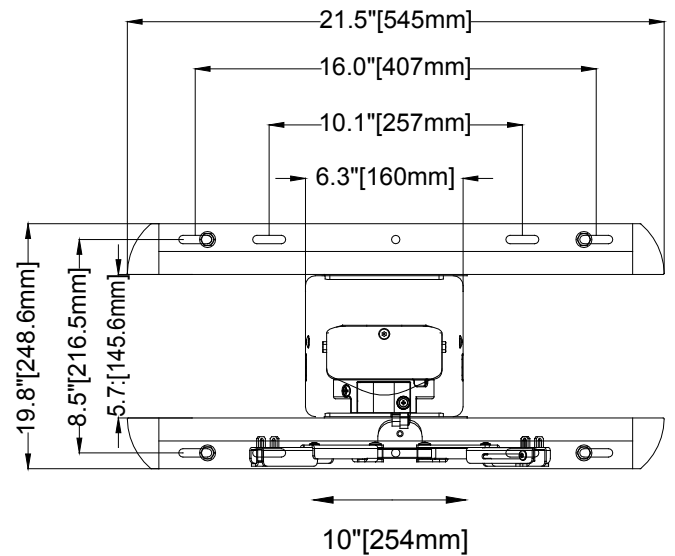
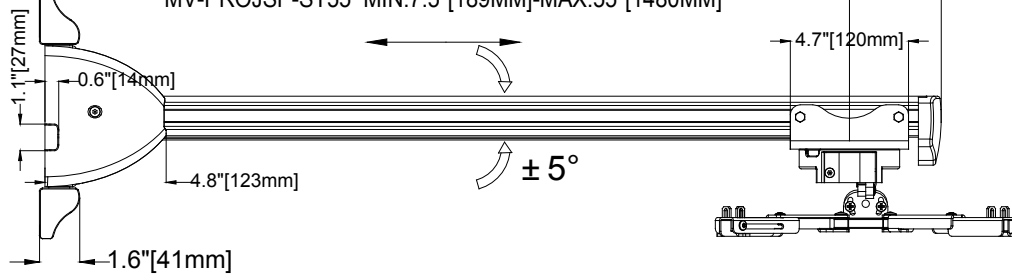


MV-PROJSP-ST16 19.5"[495MM]
 MV-PROJSP-ST30 33.7"[855MM]
 MV-PROJSP-ST55 58.2"[1480MM]

MV-PROJSP-ST16 MIN:7.5"[189MM]-MAX:16"[406.5MM]
 MV-PROJSP-ST30 MIN:7.5"[189MM]-MAX:30"[762MM]
 MV-PROJSP-ST55 MIN:7.5"[189MM]-MAX:55"[1480MM]



THE INFORMATION CONTAINED IN THIS DRAWING IS THE SOLE PROPERTY OF MUSTANG AV. ANY REPRODUCTION IN PART OR AS A WHOLE WITHOUT THE WRITTEN PERMISSION OF MUSTANG AV IS PROHIBITED.



MUSTANG AV
 PRODUCT ORDER NUMBER: **MV-PROJSP-ST16 -ST30 -ST55**
 PHONE: 1.800.398.5652

TITLE: MV-PROJSP-ST16 -ST30 -ST55	
SIZE B	DWG. NO. MV-PROJSP-ST16-ST30-ST55