

MCS-TSU



Small Tilting Wall Mount For 22" to 37" Displays

The Mustang Commercial Series tilting wall mounts offer both easy installation and versatile display adjustment. Designed for smaller displays, the mounts hold the display just 2.05" (52mm) from the wall. The One touch tilt feature allows you to smoothly and easily adjust the viewing angle of the display $\pm 15^\circ$. After the display has been installed, the $\pm 5^\circ$ roll ensures the display is perfectly level. The landscape or portrait mounting options offers versatility for installation applications.



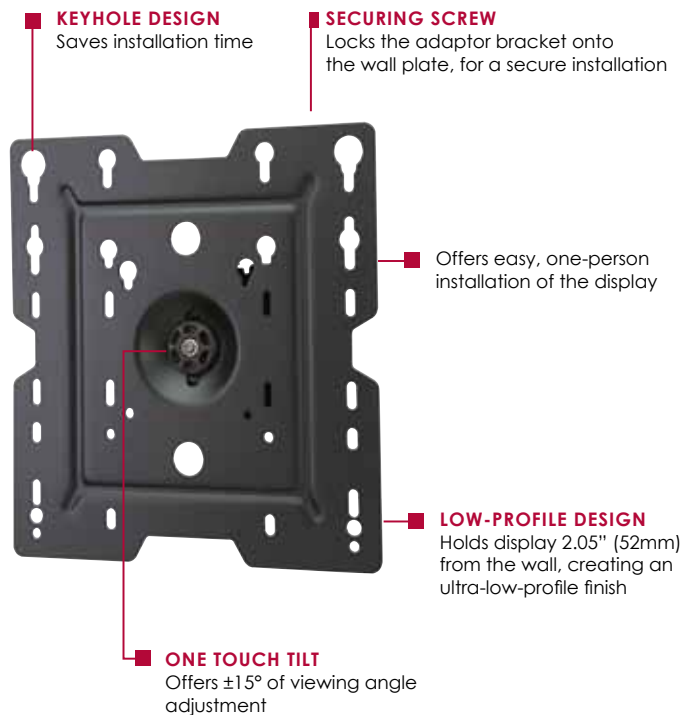
Display size: 22"-37"



Max load: 55lb (25kg)

FEATURES

- Fits 22" to 37" displays, up to 55lb (25kg)
- The low-profile design holds the display just 2.05" (52mm) from the wall creating an ultra-low-profile finish perfect for today's ultra-slim displays
- Quick and easy, one-person installation
- Landscape or portrait mounting options increase display versatility
- Easy leveling $\pm 5^\circ$ after display installation
- Mounts to wood studs, concrete, cinder block or metal studs (metal stud accessory required)
- VESA® 75, 100, 100 x 200, 200 x 100, and 200 x 200mm compliant
- Installation hardware included
- UL Listed
- Five-year warranty



$\pm 15^\circ$ of viewing angle adjustment



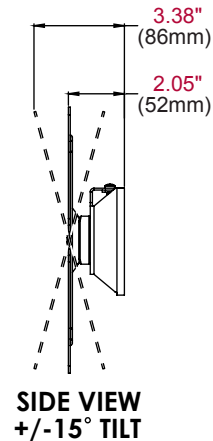
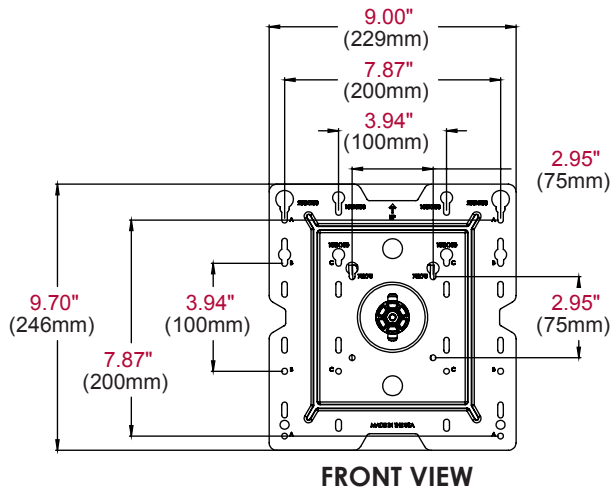
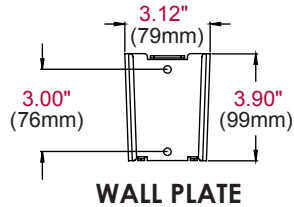
Low profile design — sits just 2.05" (60mm) from the wall



MCS-TSU Commercial Series Tilting Wall Mount for 22" to 37" Displays

Product Specifications

	DIMENSIONS (W x H x D)	PRODUCT WEIGHT	LOAD CAPACITY	FINISH	AVAILABLE COLORS
MCS-TSU	9.00" x 9.70" x 2.05"-3.38" (229 x 246 x 52-86mm)	2.41lb (1.09kg)	55lb (25kg)	Matte	Black



ARCHITECTS SPECIFICATIONS

The Small Tilting Wall Mount shall be a Mustang AV model MCS-TSU and shall be located where indicated on the plans. Assembly and installation shall be done according to instructions provided by the manufacturer.