

MCS-TSU



Medium Tilting Wall Mount For 32" to 47" Displays

The Mustang Commercial Series medium tilting wall mounts are easy to install and offer display angle versatility. Designed for medium to larger displays, the quick and easy system means even one person can easily install even larger displays. The glide adaptors easily hook into the wall plate for quick, simple and secure installation. The low-profile design holds the display just 2.66" (67mm) from the wall. After installation, use the side-to-side adjustment to perfectly position the display. The +15°/-5° of tool-less tilt ensures you'll always have the perfect viewing angle. With the locking tilt technology, you can lock the tilt angle at installation, and prevent tampering or moving. Plus, the open wall plate allows total wall access, which increases electrical and cable management options.



Display size: 32"-47"



Max load: 70lb (32kg)

FEATURES

- Fits 32" to 47" displays, up to 70lb (32kg)
- The low-profile design holds the display just 2.66" (67mm) from the wall creating an ultra-low-profile finish perfect for today's ultra-slim displays
- Quick and easy, one-person installation
- Side-to-side adjustment allows for perfect display positioning
- +15°/-5° of tool-less tilt allows you to adjust for the perfect viewing angle
- Mounts to wood studs, concrete, cinder block or metal studs (metal stud accessory required)
- Installation hardware included
- UL Listed
- Five-year warranty

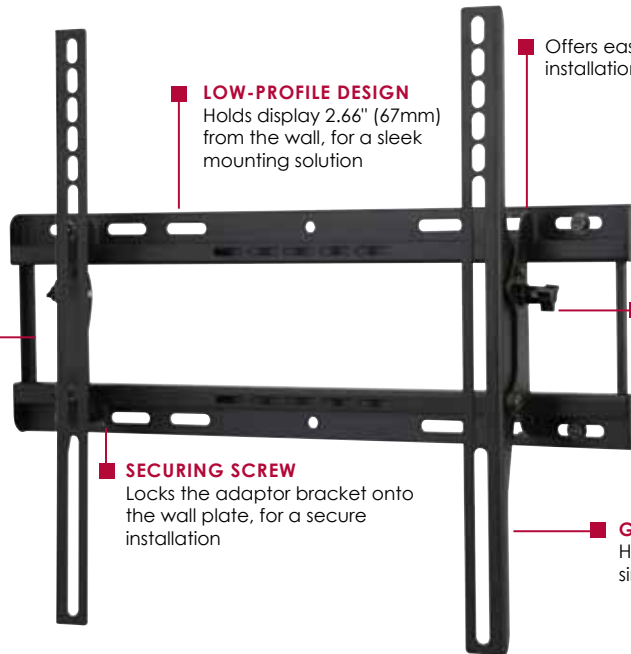
OPEN WALL PLATE

Allows for total wall access and increases electrical and cable management options

LOW-PROFILE DESIGN

Holds display 2.66" (67mm) from the wall, for a sleek mounting solution

Offers easy, one-person installation of the display



LOCKING TILT TECHNOLOGY

Locks tilt angle in place at -5°, 3° or 9° to prevent tampering after installation

SECURING SCREW

Locks the adaptor bracket onto the wall plate, for a secure installation

GLIDE ADAPTORS

Hooks onto the wall plate for quick, simple and secure installation



+15°/-5° of tool-less tilt



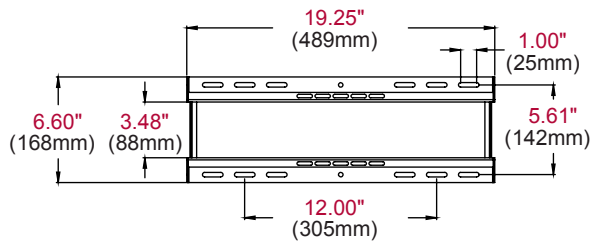
Low profile design — sits just 2.66" (67mm) from the wall



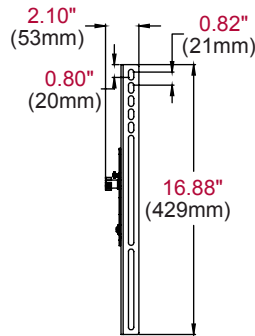
MCS-TMU Commercial Series Medium Tilting Wall Mount for 32" to 47" Displays

Product Specifications

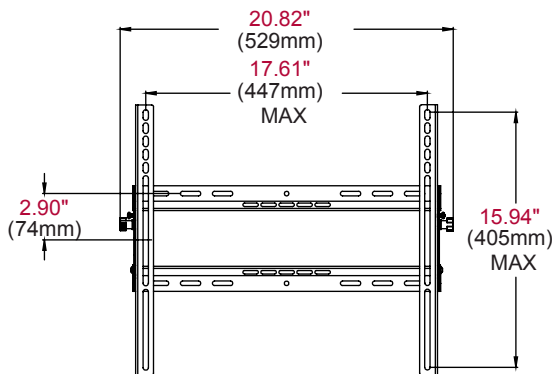
	DIMENSIONS (W x H x D)	PRODUCT WEIGHT	LOAD CAPACITY	FINISH	AVAILABLE COLORS
MCS-TMU	20.82" x 16.88" x 2.66"-5.31" (529 x 429 x 67-135mm)	3.69lb (1.67kg)	70lb (32kg)	Matte	Black



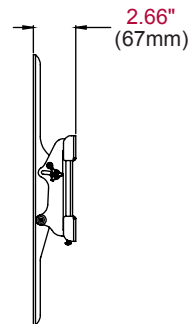
WALL PLATE



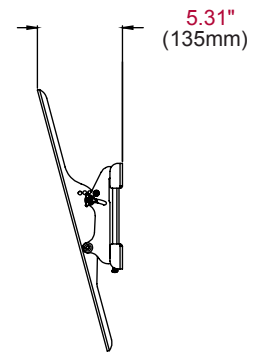
ADAPTER PLATE



FRONT VIEW



SIDE VIEW



+15°/-5° TILT

ARCHITECTS SPECIFICATIONS

The medium Tilting Wall Mount shall be a Mustang AV model MCS-TLU and shall be located where indicated on the plans. Assembly and installation shall be done according to instructions provided by the manufacturer.