

## MCS-FSU

# MUSTANG

## Small Flat Wall Mount

### For 22" to 37" Displays

The low-profile design of the Mustang Commercial Series small flat wall mounts provide a sleek finish that is perfect for today's ultra-slim displays. The keyhole design of the mounts saves installation time and the quick and easy system means the display can be installed by just one person. This high quality, American-made mount features a securing screw to lock the adaptor bracket onto the wall plate, for a secure installation. The landscape or portrait mounting options offers versatility for installation applications.



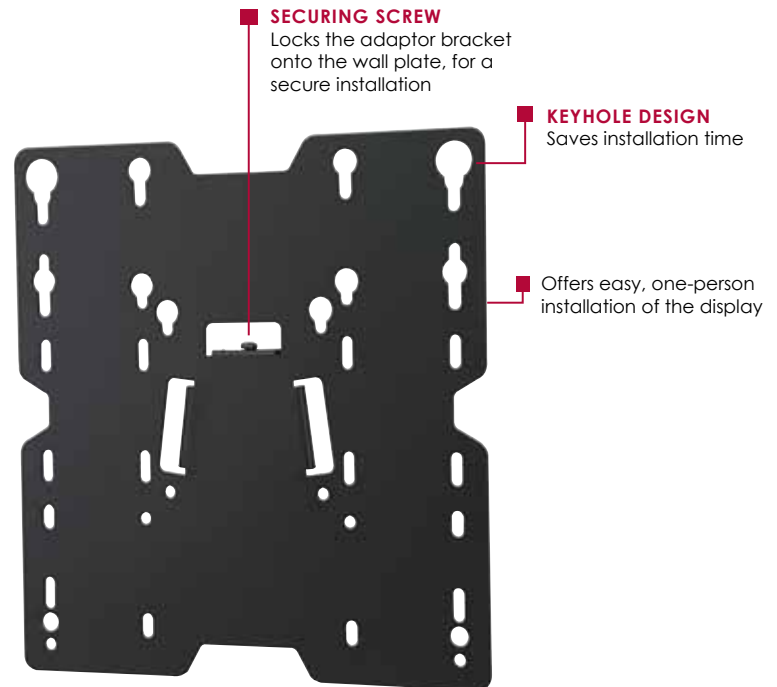
Display size: 22"-37"



Max load: 55lb (25kg)

### FEATURES

- Fits 22" to 37" displays weighing up to 55lb (25kg)
- The low-profile design holds the display 0.57" (15mm) from the wall creating an ultra-low-profile finish perfect for today's ultra-slim displays
- Quick and easy, one-person installation
- Landscape or portrait mounting options increases display versatility
- Mounts to wood studs, concrete, cinder block or metal studs (metal stud accessory required)
- VESA® 75, 100, 100 x 200, 200 x 100, and 200 x 200mm compliant
- Installation hardware included
- UL Listed
- Five-year warranty



Low profile design — sits just 0.57" (15mm) from the wall



CLICK: [mustangav.com](http://mustangav.com)

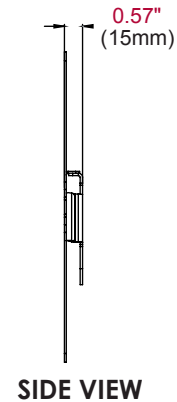
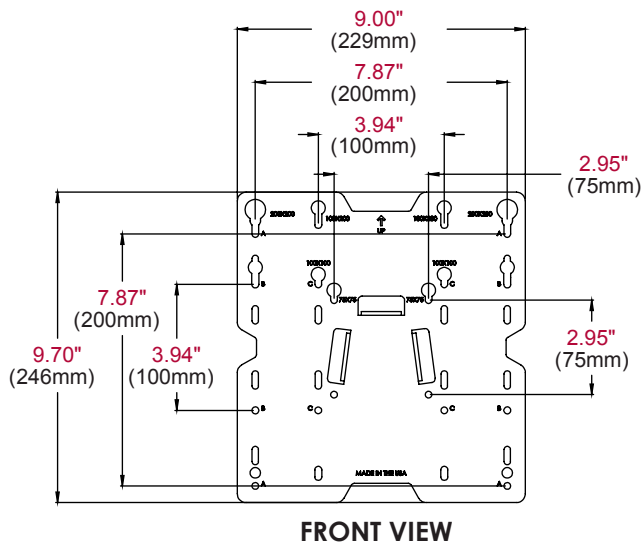
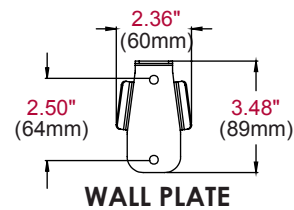
CALL: 866-395-0370

# MUSTANG

**MCS-FSU** Commercial Series Small Flat Wall Mount for 22" to 37" Displays

Product Specifications

	DIMENSIONS (W x H x D)	PRODUCT WEIGHT	LOAD CAPACITY	FINISH	AVAILABLE COLORS
<b>MCS-FSU</b>	9.00" x 9.70" x 0.57" (229 x 246 x 15mm)	1.47lb (0.67kg)	55lb (25kg)	Matte	Black



ARCHITECTS SPECIFICATIONS

The Small Flat Mount shall be a Mustang AV model MCS-FSU and shall be located where indicated on the plans. Assembly and installation shall be done according to instructions provided by the manufacturer.