

MCS-FLU

# MUSTANG

## Large Flat Wall Mount For 37" to 70" Displays

The Mustang Commercial Series large flat wall mounts combine ease of installation with increased cable management options. This low-profile mount holds the display just 1.34" (34mm) from the wall, providing a sleek finish perfect for today's ultra-slim displays. The quick and easy system allows for a one-person installation. The glide adaptors simply hook onto the wall plate for a safe and quick installation. Plus, the open wall plate allows total wall access, which increases electrical and cable management options. Use the side-to-side adjustment after you've hung the display, for perfect display positioning.



### FEATURES

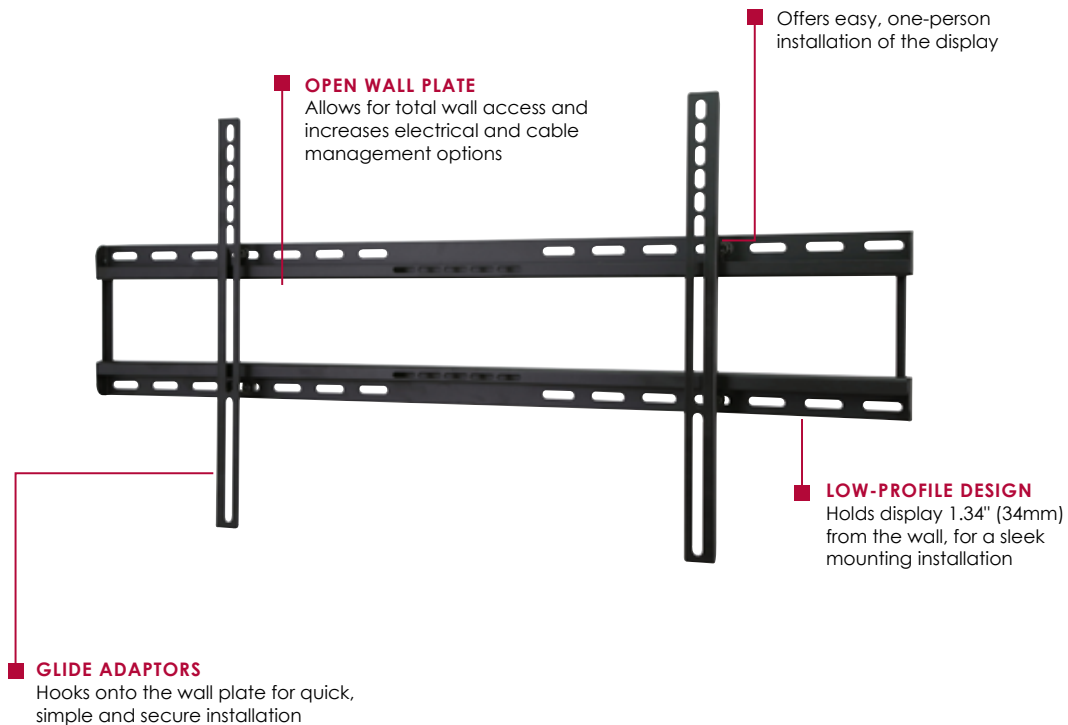
- Fits 37" to 70" displays, up to 105lb (48kg)
- The low-profile design holds the display 1.34" (34mm) from the wall creating an ultra-low-profile finish perfect for today's ultra-slim displays
- Quick and easy, one-person installation
- Side-to-side adjustment allows for perfect display positioning
- Mounts to wood studs, concrete, cinder block or metal studs (metal stud accessory required)
- Installation hardware included
- UL Listed
- Five-year warranty



Display size: 37"-70"



Max load: 105lb (48kg)



Securing screws lock adaptor to wall plate



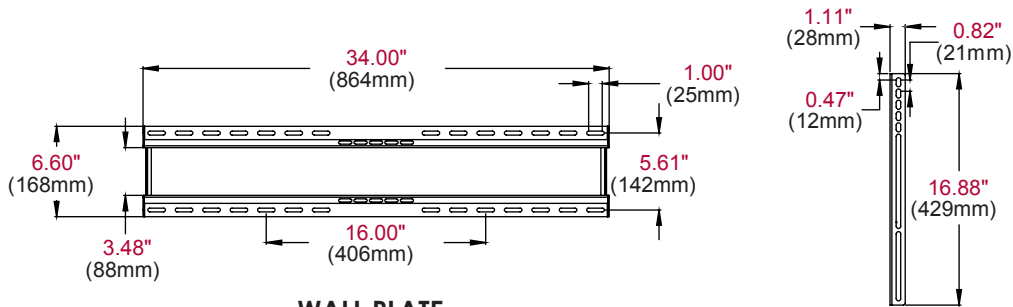
Low profile design — sits just 1.34" (34mm) from the wall



**MCS-FLU** Commercial Series Large Flat Wall Mount for 37" to 70" Displays

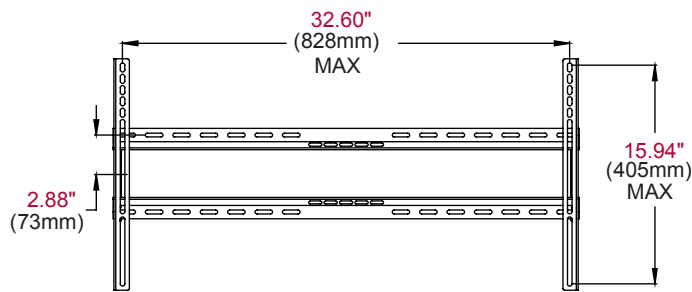
Product Specifications

|                | DIMENSIONS (W x H x D)                        | PRODUCT WEIGHT  | LOAD CAPACITY | FINISH | AVAILABLE COLORS |
|----------------|---|-----------------|---------------|--------|------------------|
| <b>MCS-FLU</b> | 34.00" x 16.88" x 1.34"<br>(864 x 429 x 34mm) | 4.69lb (2.13kg) | 105lb (48kg)  | Matte  | Black            |

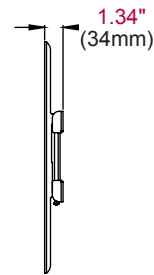


**WALL PLATE**

**ADAPTER PLATE**



**FRONT VIEW**



**SIDE VIEW**

**ARCHITECTS SPECIFICATIONS**

The Large Flat Mount shall be a Mustang AV model MCS-FLU and shall be located where indicated on the plans. Assembly and installation shall be done according to instructions provided by the manufacturer.