

MCS-AMU



Medium Articulating Wall Mount For 22" to 47" Displays

The Commercial Series articulating wall mounts give the ultimate in display positioning, with one-person, easy installation. The articulating arm allows you to extend the display up to 14.72" (374mm) from the wall, and can retract to just 2.59" (66mm) from the wall. The integrated cable management provides a clean, professional finish. One touch tilt of $\pm 15^\circ$, $\pm 5^\circ$ roll for post-installation leveling and $\pm 90^\circ$ pivoting means the display will be perfectly positioned for the optimum viewing angle.



Display size: 22"-47"



Max load: 70lb (32kg)

FEATURES

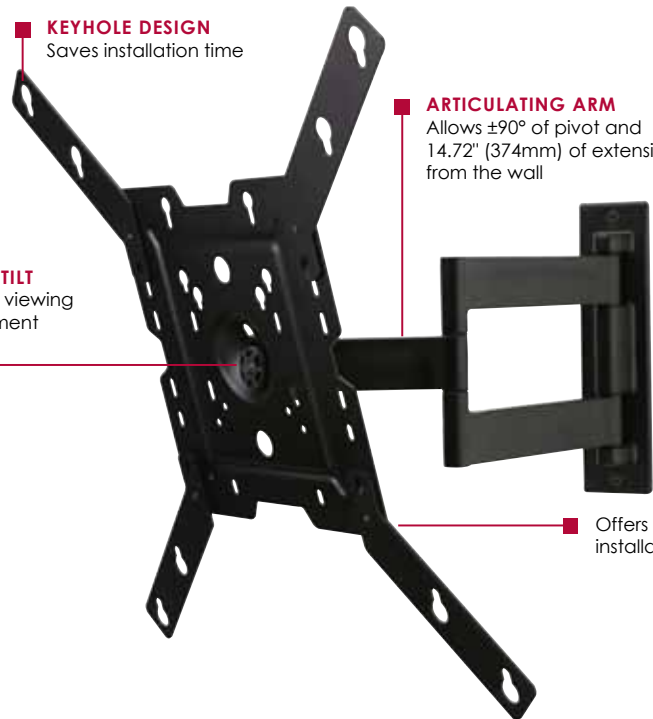
- Fits 22" to 47" displays, up to 70lb (32kg)
- Extends display 14.72" (374mm) from the wall
- Retracts to hold display 2.59" (66mm) from the wall
- $\pm 90^\circ$ of pivot allows for perfect display positioning
- Quick and easy, one-person installation
- Integrated cable management provides clean, professional installation finish
- Easy leveling $\pm 5^\circ$ after display installation
- Landscape or portrait mounting options increases display versatility
- Mounts to wood studs, concrete, cinder block or metal studs (metal stud accessory required)
- VESA® 75, 100, 100 x 200, 200 x 100, 200 x 200, 300 x 200, 300 x 300, 400 x 300, and 400 x 400mm compliant
- Installation hardware included
- UL Listed
- Five-year warranty

KEYHOLE DESIGN
Saves installation time

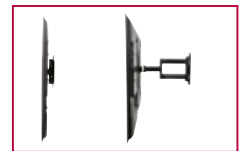
ARTICULATING ARM
Allows $\pm 90^\circ$ of pivot and 14.72" (374mm) of extension from the wall

ONE TOUCH TILT
Offers $\pm 15^\circ$ of viewing angle adjustment

Offers easy, one-person installation of the display



$\pm 15^\circ$ of viewing angle adjustment



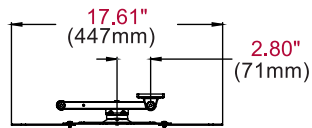
Arm retracts to just 2.59" (66mm) and extends up to 14.72" (374mm) from the wall



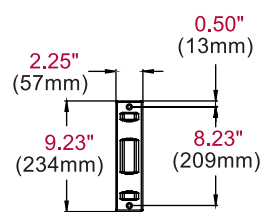
MCS-AMU Commercial Series Medium Articulating Wall Mount for 22" to 47" Displays

Product Specifications

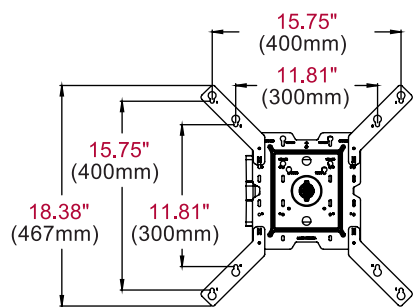
	DIMENSIONS (W x H x D)	PRODUCT WEIGHT	LOAD CAPACITY	FINISH	AVAILABLE COLORS
MCS-AMU	17.61" x 18.38" x 2.59"-14.72" (447 x 467 x 66-374mm)	4.64lb (2.10kg)	70lb (32kg)	Matte	Black



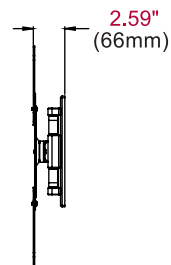
TOP VIEW



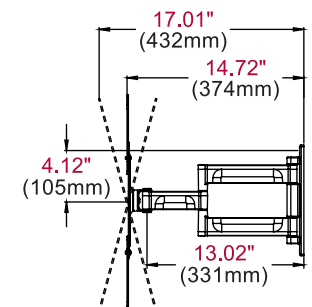
WALL PLATE



FRONT VIEW



SIDE VIEW



SIDE VIEW EXTENDED +/- 15° TILT

ARCHITECTS SPECIFICATIONS

The Medium Articulating Wall Mount shall be a Mustang model MCS-AMU and shall be located where indicated on the plans. Assembly and installation shall be done according to instructions provided by the manufacturer.

Mustang AV ■ (866) 395-0370 ■ mustangav.com

Visit mustangav.com to see the complete line of AV solutions from Mustang AV, including flat panel mounts, projector mounts, screens and a full assortment of accessories.