

MCS-ALU



Large Articulating Wall Mount For 37" to 70" Flat Panel Displays

The Commercial Series MCS-ALU large articulating mount gives you the ultimate display positioning and one-person, easy installation, for larger displays. The articulating arm allows you to extend the display up 21.43" (544mm) from the wall, and can retract to 2.93" (74mm) from the wall. The integrated cable management provides a clean, professional finish. One Touch tilt of $\pm 15^\circ$, $\pm 5^\circ$ roll for post-installation leveling and $\pm 90^\circ$ pivoting means the display will be perfectly positioned for the optimum viewing angle.



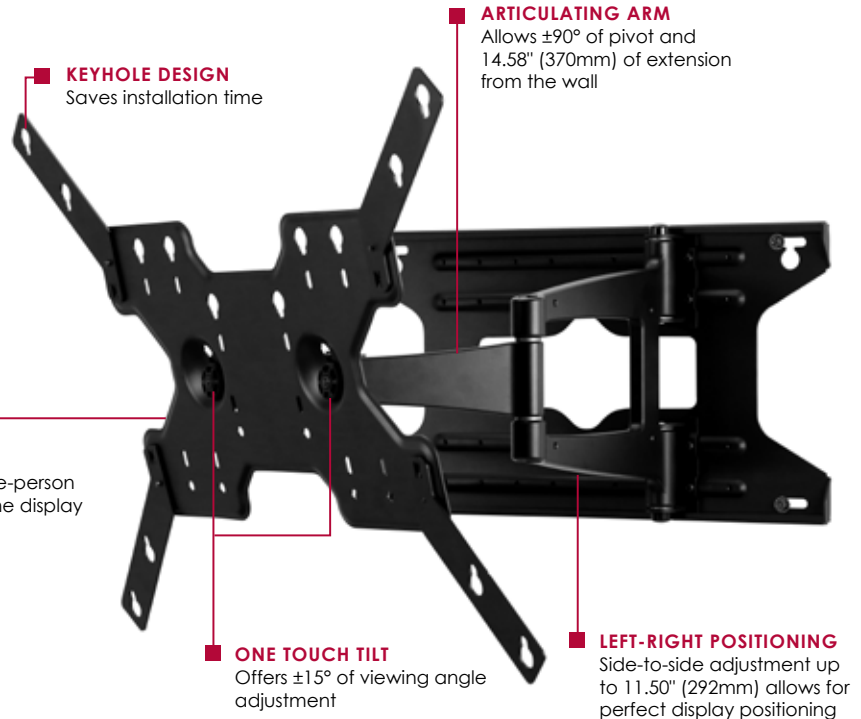
Display size: 37"-70"



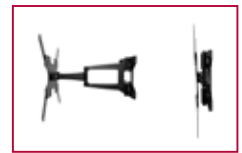
Max load: 105lb (48kg)

FEATURES

- MCS-ALU fits 37" to 70" displays, up to 105lb (48kg)
- Extends display 21.43" (544mm) from the wall
- Retracts to hold display 2.93" (74mm) from the wall
- $\pm 90^\circ$ of pivot allows for perfect display positioning
- Quick and easy, one-person installation
- Integrated cable management provides clean, professional installation finish
- Easy leveling $\pm 5^\circ$ after display installation
- Mounts to wood studs, concrete, cinder block or metal studs (metal stud accessory required)
- VESA® 100, 200, 300 x 200, 300, 400, 400 x 200, 400 x 300, 500 x 300, 500 x 400 and 600 x 400mm compliant
- Installation hardware included
- UL Listed



$\pm 15^\circ$ of viewing angle adjustment



Arm retracts to just 2.93" (74mm) and extends up to 21.43" (544mm) from the wall

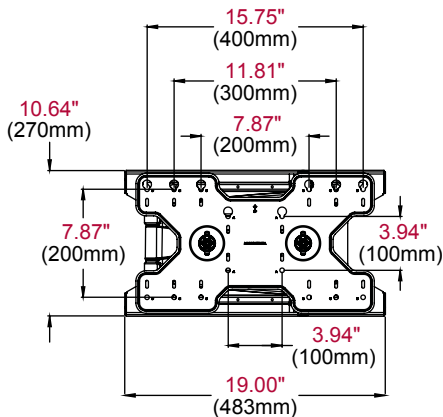
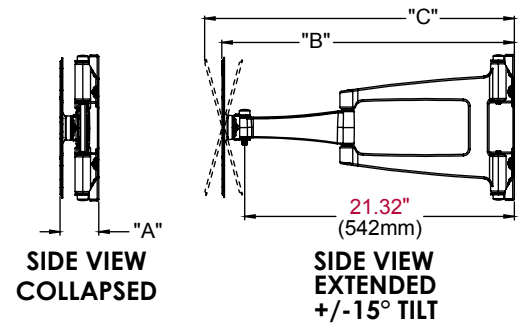


MCS-ALU Commercial Series Large Articulating Wall Mount for 37" to 70" Displays

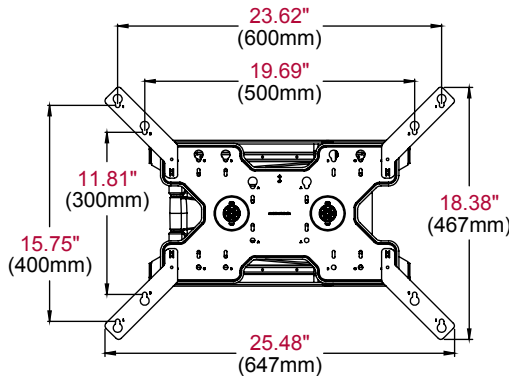
Product Specifications

	DIMENSIONS (W x H x D)	PRODUCT WEIGHT	LOAD CAPACITY	FINISH	AVAILABLE COLORS
MCS-ALU	25.48" x 18.38" x 2.93"-21.32" (647 x 467 x 74-544mm)	13.90lb (6.30kg)	105lb (48kg)	Matte	Black

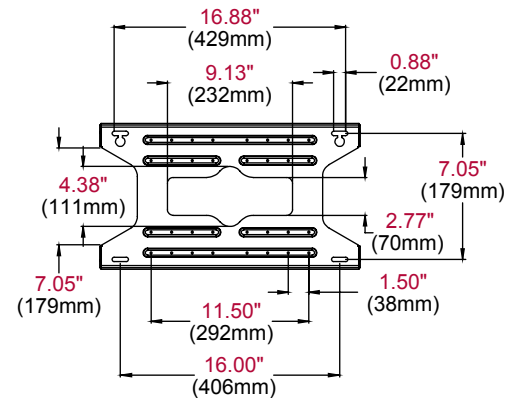
	DIMENSION "A"	DIMENSION "B"	DIMENSION "C"
WITHOUT EXTENSION BRACKETS	2.82" (72mm)	21.32" (542mm)	22.53" (572mm)
WITH EXTENSION BRACKETS	2.93" (74mm)	21.43" (544mm)	23.74" (603mm)



**FRONT VIEW
WITHOUT EXTENSION BRACKETS**



**FRONT VIEW
WITH EXTENSION BRACKETS**



WALL PLATE

ARCHITECTS SPECIFICATIONS

The Large Articulating Wall Mount shall be a Mustang model MCS-ALU and shall be located where indicated on the plans. Assembly and installation shall be done according to instructions provided by the manufacturer.

Mustang AV ■ (866) 395-0370 ■ mustangav.com

Visit mustangav.com to see the complete line of AV solutions from Mustang AV, including flat panel mounts, projector mounts, screens and a full assortment of accessories.